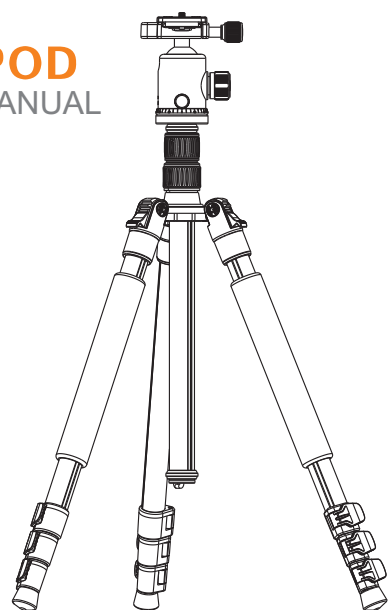




TRIPOD USE MANUAL



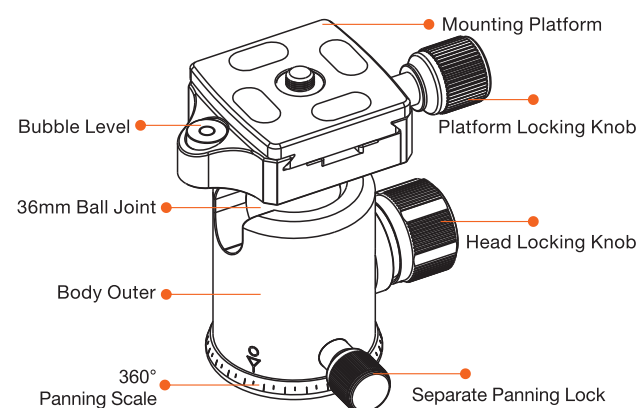
⚠ Note:



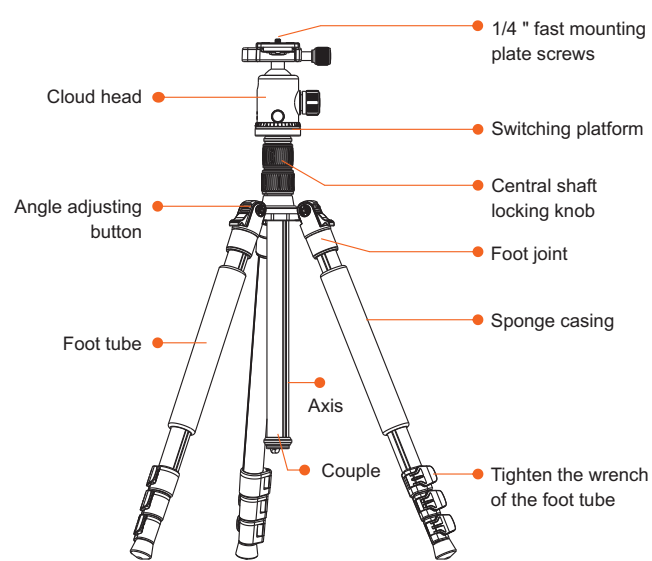
1. Do not exceed the maximum specified load (refer to individual product descriptions).
2. When using the product, please try to lock the central column and operate in safe conditions.
3. Do not use in temperatures below -40 degrees Celsius or higher than 100 degrees Celsius.
4. When used in watery / sandy / dusty environments, keep the product dry and clean. This tripod is not recommended for use in seawater.
5. Never leave the tripod out in the sun for extended periods of time.
6. Operate the tripod carefully in dangerous environments.
7. Use a mild detergent and a soft towel to clean the dust and sand from the locking system and sliding parts.
8. Unless there is a need, this device does not need lubrication on a regular basis. If you deem that it does, use standard lubricating oil.
9. Keep the tripod away from electricity.

The Company reserves the product upgrades and power due to product upgrades and changes to various parameters without notice. If there are printing, translation, or omissions from the manual, GEEKOTO accepts no responsibility.

Ball head details:

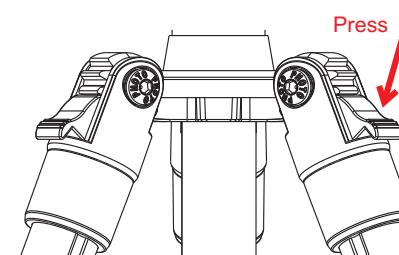


An overview of the scaffold:



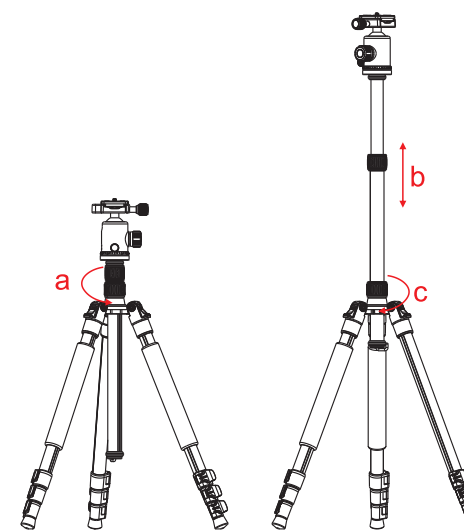
Angle regulation:

Each leg of the scaffold can adjust three supporting angles to meet different shooting requirements, as shown in the direction, press the angle control button, at the same time turn the foot to the corresponding angle, release the control button.



Central axis adjustment:

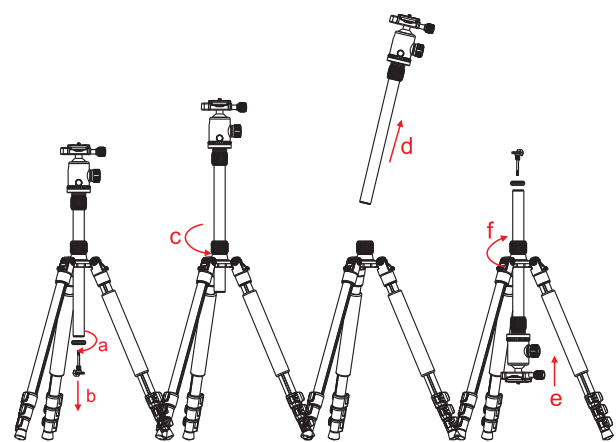
Unlock the center axis in the direction a, stretch to the appropriate position in direction b, and finally rotate the lock axis along direction c.



正面

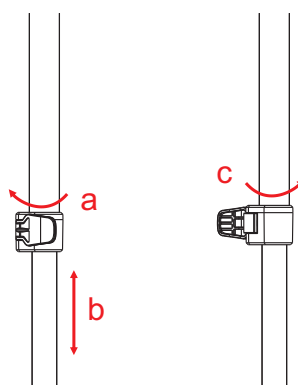
Inverted installation of shaft:

Rotate the hook knob in the direction a shown, pull out the hook in direction b, and unlock the central shaft according to direction c. Pull out the center axis along the direction d, insert the center shaft according to direction e, lock the center shaft according to direction f, finally install the hook back and finish the inversion.



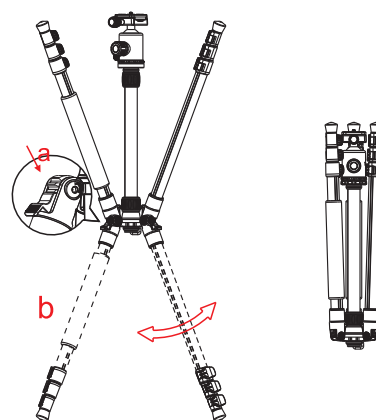
Extension of pin:

In the direction of the diagram a, at the same time or separately, pull the locking buckle open, then pull the pin out of your desired length, and then, in the direction of the diagram C, pull the lock back and lock it.



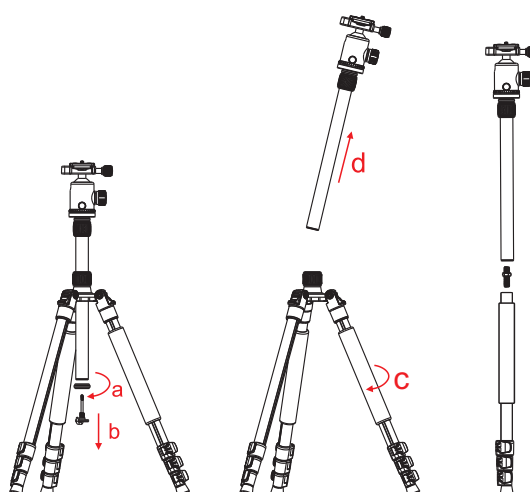
Backfolding of scaffolding:

After all the pins are retracted and locked, as shown in the diagram a press the angle adjustment button. At the same time, move the three-leg pin to the reverse side to realize the backfolding according to the direction b of the illustration. Make the scaffold to the smallest size, easy to carry.



Method of use of removable monopod:

A foot in a tripod can be rotated and connected to a central shaft tube for use in a single-legged frame.



WARRANTY CARD

Name: _____

Tel: _____

Address: _____

Description of malfunction: _____

(please write down neatly, thanks for support)

Merchant: _____

Tel: _____

Product model: _____

Purchase Date: _____

Stamp sales: _____

MAINTENANCE RECORDS

Date for report: _____

Records for checking: _____

Maintainer: _____

Date for returning: _____

Tracking No. for returning: _____

反面